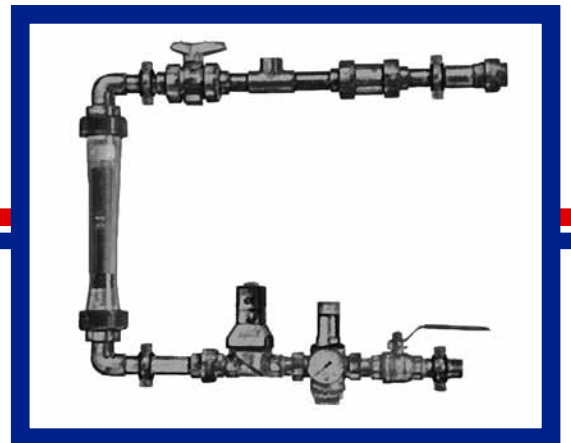


VA - DILUTION STATION

*For dilution of the stock
solution to the required
dosing solution*



VA - DILUTION STATION



DESCRIPTION

Piping completely made of PVC

Water system consisting of pressure reduction valve, solenoid valve and flow meter.

Assembled on a mounting plate

FUNCTION

The dilution station is designed for the dilution of the stock solution to the required working solution.

DESIGN

Designed for wall installation, using pressure reduction valve with water filter, solenoid valve and flow meter.

TYPES OF THE VA - DILUTION STATION "VA - VD"

- VA - VD 3000** - Amount of dilution water max. 3.000 l/h
- Working solution up to 4.000 l/h
- VA - VD 6000** - Amount of dilution water max. 6.000 l/h
- Working solution up to 8.000 l/h
- VA - VD 12000** - Amount of dilution water max. 12.000 l/h
- Working solution up to 15.000 l/h

Different sizes can be designed and delivered on request.

W + AT GmbH

Wasser + Abwassertechnik GmbH
Lunzerstraße 64 • A-4031 LINZ
Phone ++43/(0)732/6989-8116 o. 6149
Mobile ++43/(0)664/4501028
wat-gmbh@w-at.at

www.w-at.at